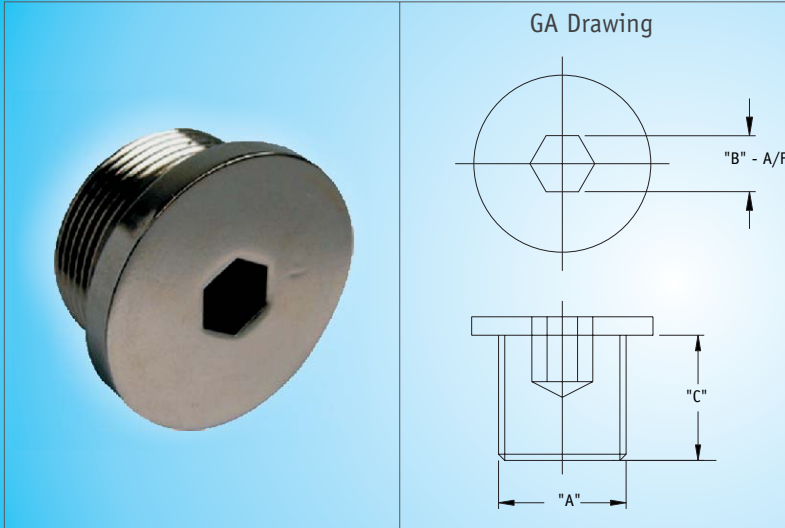


BLANKING PLUGS - Exd (Flameproof)



FWPG Series



Cat. No	Dimension (mm)		
	A	B A/F	C
FWPG - 551	0.5" ET/ NPT / BSP / M16	6	17
FWPG - 552	0.75" ET/ NPT / BSP / M20	6	17
FWPG - 553	1.0" ET/ NPT / BSP / M25	6	17
FWPG - 554	1.25" ET/ NPT / BSP / M32	8	20
FWPG - 555	1.5" ET/ NPT / BSP / M40	8	20
FWPG - 556	2.0" ET/ NPT / BSP / M50	8	20
FWPG - 557	2.5" ET/ NPT / BSP / M63	8	20
FWPG - 558	3.0" ET/ NPT / BSP / M75	8	28

CMRI Certificate No.: CMRS / TC / 1540

CMRI CERTIFIED

CERTIFICATES
CMRI | CCE | BIS

www.baliga.com

baligamf@vsnl.net

WIRING ACCESSORIES