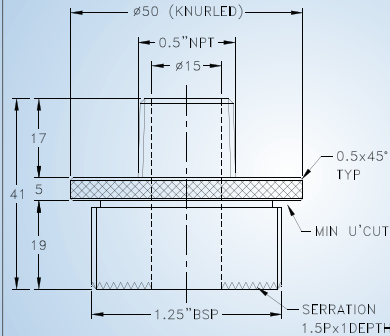


# UNION / NIPPLE / COUPLINGS



## BNY Series

Union /Nipple/Couplings  
AL/MS -BNY (MXF) Series



Cat. No	Dimension (mm)					Thread Size (Inches)				
						BSC / ET		NPT / BSP		
	A	B	C	D	E	F	G	F	G	
BNY - 105	50	58				-		-		
BNY - 205	55	58				3/4		1/2		
BNY - 305	62	65				1		3/4		
BNY - 405	65	69				1 1/2		1		
BNY - 505	76	69				2		1 1/2		
BNY - 605	90	70				2 1/2		2		

CMRI Certificate No.: CMRI V / REV /1323

CMRI CERTIFIED

CERTIFICATES  
CMRI | CCE | BIS

[www.baliga.com](http://www.baliga.com)

