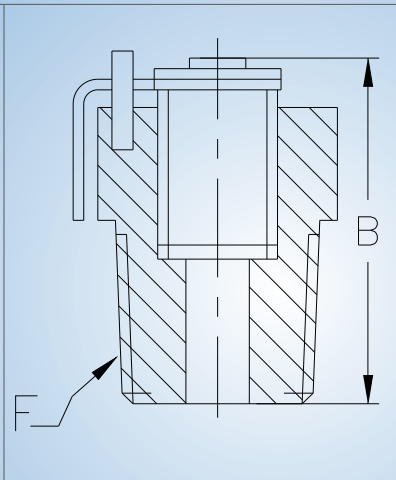


# DRAIN & BREATHER

## BOD & BBD Series



Cat. No	Dimension (mm)					Thread Size (Inches)			
						BSC / ET		NPT / BSP	
	A	B	C	D	E	F	G	F	G
BOD - 1									
BOD - 2									
BOD - 11									
BOD - 22									
BBD - 21									
BBD - 31									

CMRI Certificate No.: CMRI V / REV /912

CMRI CERTIFIED

CERTIFICATES  
CMRI | CCE | BIS

[www.baliga.com](http://www.baliga.com)



WIRING ACCESSORIES