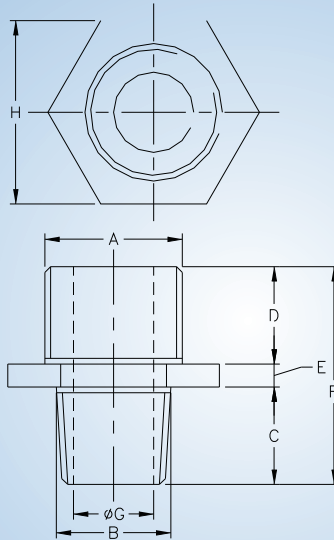


REDUCERS

BNR Series



Reducers
AL/MS -BNR (MxM) Series



Cat. No	Dimension (mm)					Thread Size(Inches)			
	A	B	C	D	E	BSC / ET		NPT / BSP	
						F	G	F	G
BNR - 21	25	8	50			1	3/4	3/4	1/2
BNR - 31	30	8	50			1 1/4	3/4	1	1/2
BNR - 32	30	12	50			1 1/4	1	1	3/4
BNR - 41	38	8	55			1 1/2	3/4	1 1/4	1/2
BNR - 42	38	12	55			1 1/2	1	1 1/4	3/4
BNR - 43	38	16	55			1 1/2	1 1/4	1 1/4	1
BNR - 51	44.5	8	55			2	3/4	1 1/2	1/2
BNR - 52	44.5	12	55			2	1	1 1/2	3/4
BNR - 53	44.5	16	55			2	1 1/4	1 1/2	1
BNR - 54	44.5	22	60			2	1 1/2	1 1/2	1 1/4
BNR - 61	63.5	8	55			2 1/2	3/4	2	1/2
BNR - 62	63.5	12	55			2 1/2	1	2	3/4
BNR - 63	63.5	16	55			2 1/2	1 1/4	2	1
BNR - 64	63.5	22	60			2 1/2	1 1/2	2	1 1/4
BNR - 65	63.5	28.6	60			2 1/2	2	2	1 1/2

CMRI Certificate No.: CMRI V / REV /1321

CMRI CERTIFIED CERTIFICATES
CMRI | CCE | BIS

www.baliga.com

