

## WP 5061

WEATHER PROOF WELL GLASS LUMINAIRE



### Mechanical Data

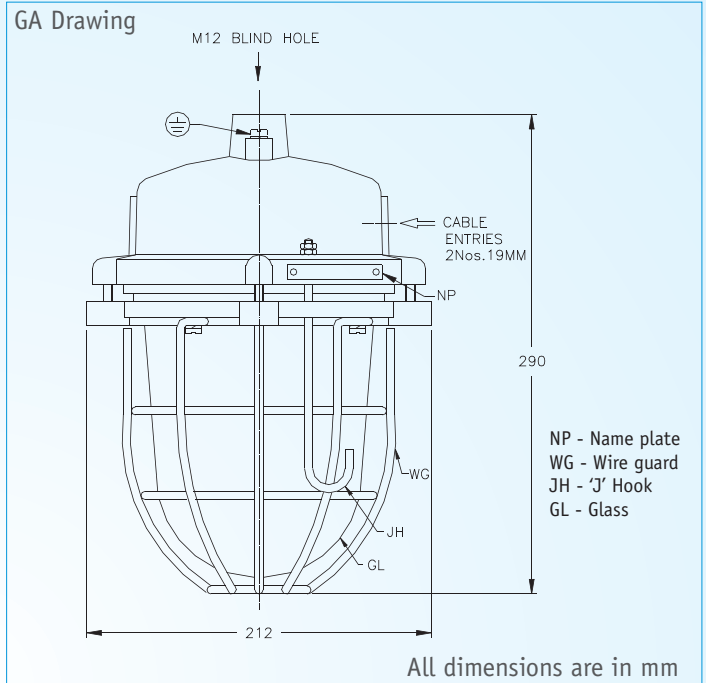
Material	: Aluminium LM6
Weight	: 3.8 Kg (Approx.)
IP Protection	: IP 65 as per IS 13947 / 1993 / IEC 60529 / 1989
Finish	: Anti corrosive Epoxy powder coated
Cable Entry	: 2 x (3/4 " ET / 0.5" NPT / BSP / M 16)
Glass	: Heat Resistant Borosilicate
Wireguard	: 5 mm Welded Steel Construction
Reflector	: Mild Steel - Vitreous Enamelled
Suspension	: Type 'B' Ceiling bracket
Hinge	: 'J' Bolt Arrangement
Gasket	: Neoprene
Hardware	: Stainless Steel (SS-304)

### Electrical Data

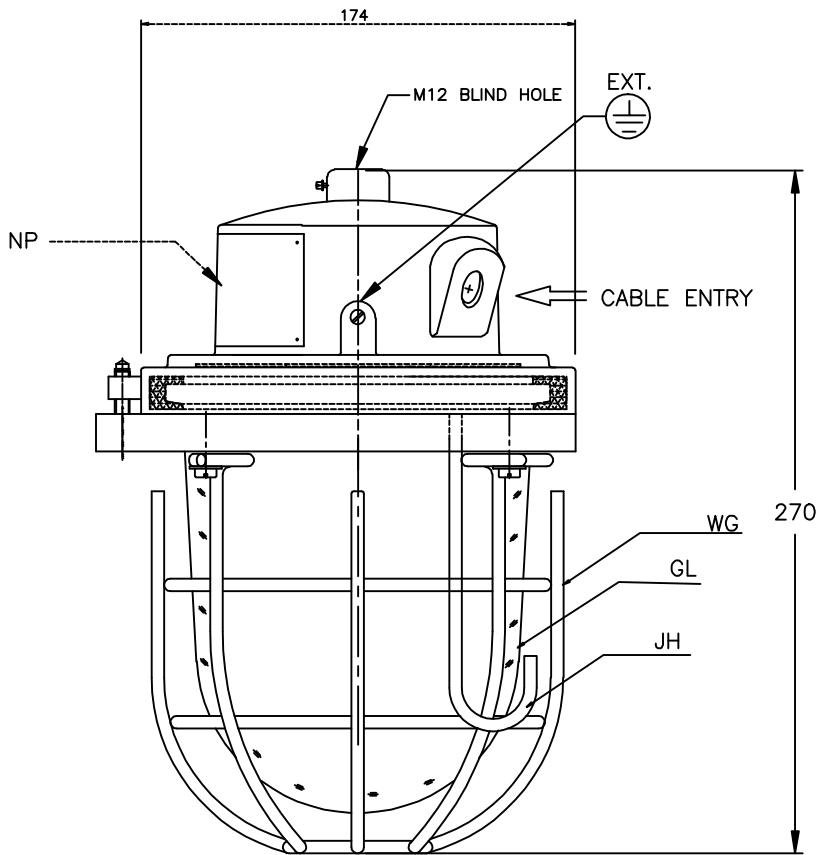
Voltage	V : 230 V AC , 50 Hz
Lamp Wattage	W : 70 HPSV / 80 /125 HPMV / 160 MLL / 200 GLS
Lamp Holder	: Porcelain ES Cap - E 27
Wiring	: Fibreglass class F insulated 2.5 sq.mm Stranded copper
Terminals	: Stud Type
Insulators	: Glass fibre reinforced DMC
Max. Cable size	: 3C x 4 sq.mm
Int. Terminations	: 4 sq.mm crimping lugs.
Earthing	: External 2 Nos - M6 Internal 1 No - M5

### Description

Weather proof well glass luminaire with a heat resistant glass. The glass is fitted with a special U section gasket & clamped to the main body by a retaining ring. A reflector provides enhanced illumination.



Type of protection	Weatherproof - WP				
Area Classification	Safe Area				
Apparatus Standard	IS - 13947/ 1993 / IEC 60529 / 1989				
Temp Rating	T6	T6	T5	T5	T5
Wattage Rating	70 HPSV	80 HPMV	125 HPMV	160 MLL	200 GLS



**NOTES:**

- GL -WELLGLASS (BOROSILICATE CLEAR GLASS)
- WG -WIRE GUARD (M.S. EPOXY POWDER COATED - WHITE COLOUR)
- LAMP HOLDER -ENCLOSED BREAK SCREW TYPE (PORCELAIN) (ES 27)
- LAMP TO SUIT -REFER CHART 240V AC 50HZ (WITHOUT LAMP)
- JH -"J" HOOK
- INTERNAL REFLECTOR - ALUMINIUM POLISHED
- NP -NAME & WARNING PLATE (SS)
- EARTHING -2Nos. EXTERNAL & 1No. INTERNAL
- HARDWARE -SS304
- GASKET - NEOPRENE

LAMP TO SUIT	TEMP CLASS
80W HPMV	T5
125W HPMV	T4
160W MLL	T3
70W HPSV	T5
70W MH	T4
100W GLS	T4
200W GLS	T3

ALL DIMENSIONS ARE IN MM.

E	CUSTOMER :	TITLE : WEATHER PROOF WELLGLASS LUMINAIRE				E
	CONSULTANT :	CAT No.: WP-5061				
	PROJECT :	CLASSIFICATION : IP65				
	P.O. No.:	WT.: 4Kgs. (APPROX.)	MATL.: AL. LM-6	ITEM No.:	QTY.:	
	FINISH : EPOXY POWDER COATED LIGHT GREY (SHADE-631) OF IS:5	TOLERANCE :±5mm		FOR APPROVAL		
IS :12063/87 (IEC:60529/89)	SCALE N.T.S					
	NAME	DATE				
F		REV-1			SHEET 1 OF 1	F
		REV-2				
		DRN. S.S	29.04.09	DRG. NO. QEWP506101		
		CHKD.				
		APPD.				



**Baliga Lighting Equipments Private Limited,**  
KOVILAMBAKKAM, CHENNAI-600 117, INDIA.