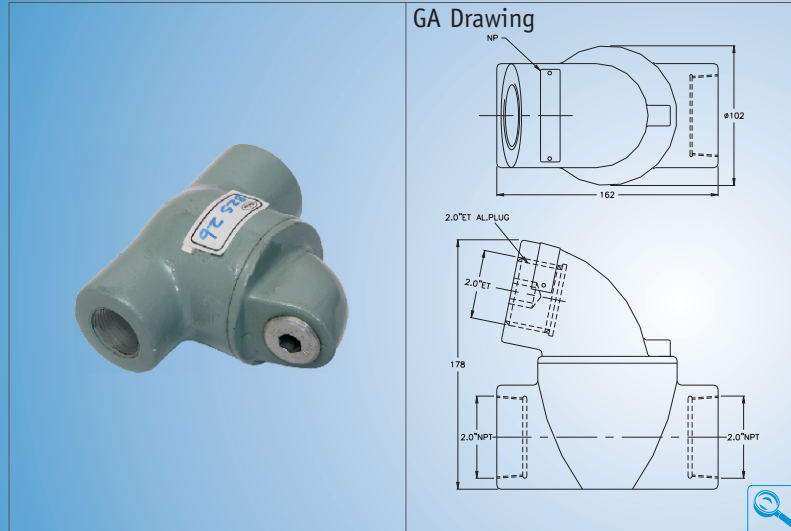


# SEALING CONDULET (Horizontal)

## BZS Series



Cat. No	Dimension (mm)					Thread Size(Inches)			
						BSC / ET		NPT / BSP	
	A	B	C	D	E	F	G	F	G
BZS 1	120	130	75			3/4		1/2	
BZS 2	120	130	75			1		3/4	
BZS 3	120	130	75			1 1/4		1	
BZS 4	180	170	90			1 1/2		1 1/4	
BZS 5	180	170				2		1 1/2	
BZS 6	180	170				2 1/2		2	
BZS 7	220	220				3		2 1/2	

CMRI Certificate No.: CMRS V / REV /1066

CMRI CERTIFIED

CERTIFICATES  
CMRI | CCE | BIS

[www.baliga.com](http://www.baliga.com)

