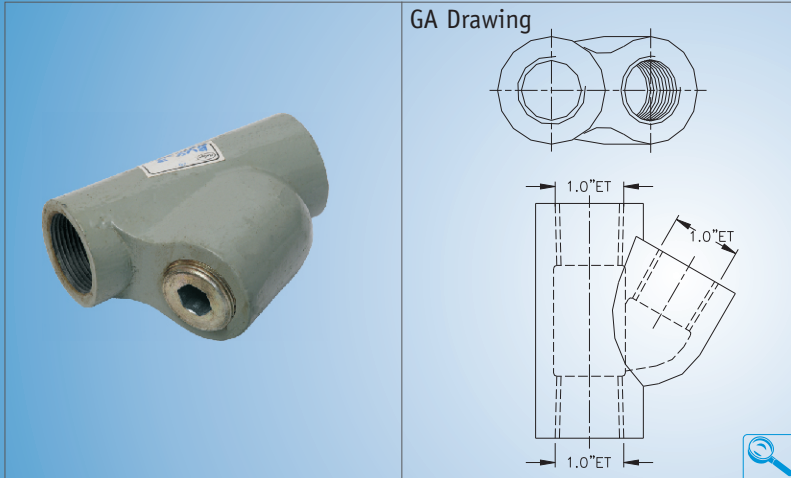


SEALING CONDULET (Vertical)

BYS Series



Cat. No	Dimension (mm)					Thread Size (Inches)			
						BSC / ET		NPT / BSP	
	A	B	C	D	E	F	G	F	G
BYS 1	59	72	33			3/4		1/2	
BYS 2	59	72	33			1		3/4	
BYS 3	83	101	38			1 1/4		1	
BYS 4	95	114	50			1 1/2		1 1/4	
BYS 5	95	114	50			2		1 1/2	
BYS 6	123	138	65			2 1/2		2	

CMRI Certificate No.: CMRS V / REV /1066

CMRI CERTIFIED CERTIFICATES
CMRI | CCE | BIS

www.baliga.com



WIRING ACCESSORIES