

WP 20565 - 35310

WEATHER PROOF JUNCTION BOX



Mechanical Data

Material : Aluminium LM6
 IP Protection : IP 65 IS-12063/1987 (IEC 60529/1989)
 Finish : Anti corrosive Epoxy powder coated
 Cable Entry : Refer Chart.
 Cover Fixing : Bolted
 Gasket : Neoprene
 Hardware : Stainless Steel

Electrical Data

Terminals : Refer Chart
 Earthing : External : 2 Nos - M6
 Internal : 1 No - M5
 Terminal Blocks : Glass Fibre reinforced DMC

Cable Entry

Entry size (Inches)			WP 20565		WP 20510		WP 30310		WP 35310	
BSC	NPT / BSP	Metric (mm)	A / B	C / D	A / B	C / D	C / D	A / B	A / B	C / D
0.50	0.25	M 16 X 1.5	6	4	8	6	16	16	18	16
0.75	0.50	M 20 X 1.5	5	4	8	6	14	14	16	14
1.0	0.75	M 25 X 1.5	4	3	3	2	6	6	7	6
1.25	1.0	M 32 X 1.5	3	2	2	2	4	4	5	4
1.50	1.25	M 40 X 1.5	-	-	2	2	4	4	5	4
2.0	1.50	M 48 X 1.5	-	-	2	1	3	3	3	3
2.5	2.0	M 63 X 1.5	-	-	2	1	3	3	3	3

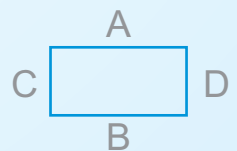
Description

Weatherproof restricted breathing type of junction boxes, fitted with anti-vibration terminals to suit circuit requirements. Cast integral plates make it possible to provide wide combination of cable entries for different sizes. A continuously moulded gasket ensures reliable weather proof protection.

Type of protection	Weatherproof - WP
Gas groups	Safe area
Apparatus Standard	IS-12063/1987 (IEC 60529/1989)

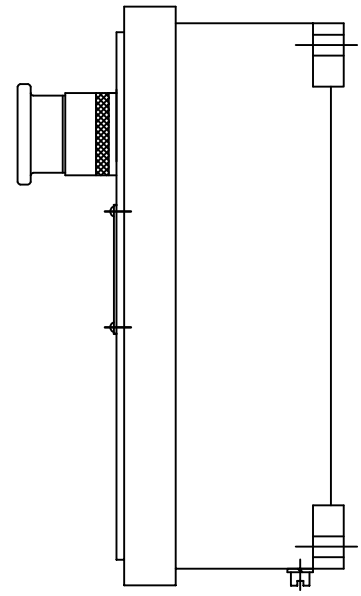
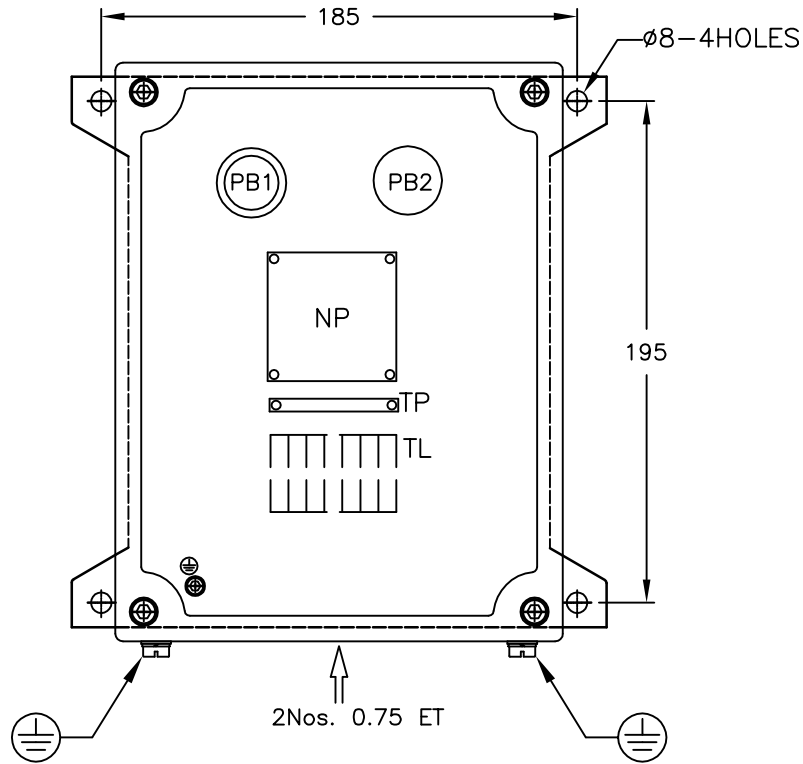
Dimension Chart

Cat.No.	Internal Dimn.	Weight
WP 20565	200 X 150 X 65 mm	2.8 Kg
WP 20510	200 X 150 X 100 mm	3.2 Kg
WP 30310	300 X 300 X 100 mm	6.5 Kg
WP 35310	350 X 300 X 100 mm	8.0 Kg



IF IN DOUBT ASK

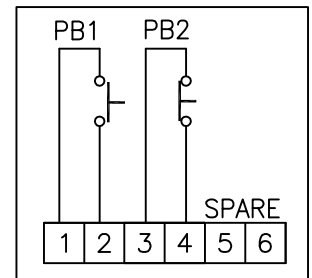
DO NOT SCALE



NOTES:-

- PB1 - START PUSH BUTTON (GREEN) (1NO&1NC)
- PB2 - STOP PUSHBUTTON (RED) WITH MUSHROOM HEAD STAYPUT TYPE (1NO&1NC)
PUSH BUTTON ELEMENT RATING :4A, 415V AC
- TL - 6Nos. 2.5SQMM CLIPON TYPE TERMINALS (ELMEX MAKE)
- NP - NAME & WARNING PLATE (SS)
- TP - TAGPLATE (PERSPEX) (CUSTOMER TO FURNISH TAG DETAIL IF ANY)
- EARTHING - 2Nos. EXTERNAL &1No. INTERNAL
- HARDWARE - SS304
- GASKET - NEOPRENE

WIRING DIAGRAM



INTERNAL DIMENSION : 200x150x65mm
ALL DIMENSIONS ARE IN MM.

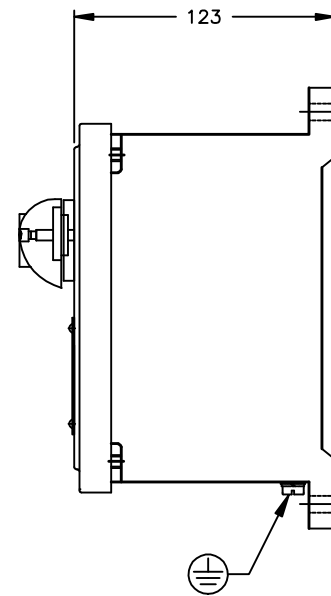
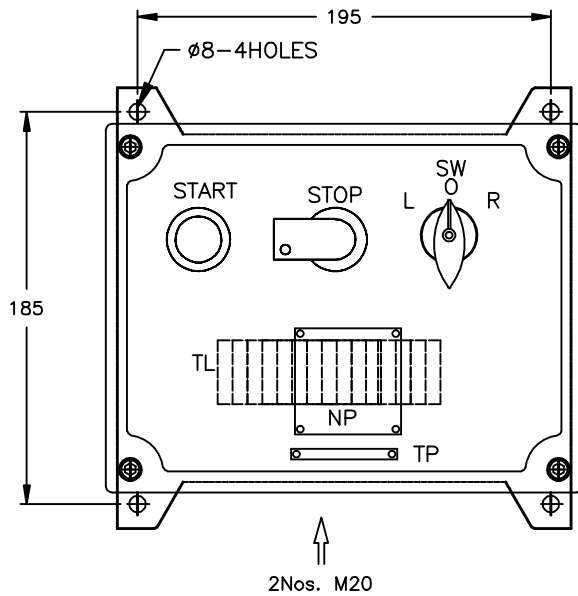
CUSTOMER :	TITLE : WEATHERPROOF CONTROL STATION		
	CONSULTANT :		
PROJECT:	CAT No. : WP-20565C		
P.O.No. :	CLASSIFICATION: IP65		
FINISH : EPOXY POWDER COATED LIGHT GREY (SHADE-631) OF IS:5	WT.:2.8KGS (APPROX.)	MATL.: AL. LM-6	ITEM No.: QTY.:
	TOLERANCE : ±5mm		FOR APPROVAL
SCALE N.T.S			
IS:12063/87 (IEC:60529/89)			
REV-1	NAME	DATE	SHEET 1 OF 1
REV-2			
DRN.	S.S	13.01.09	DRG. No.
CHKD.			QE20565001
APPD.			0



Baliga Lighting Equipments Private Limited,
KOVILAMBAKKAM, CHENNAI-600117, INDIA.

IF IN DOUBT ASK

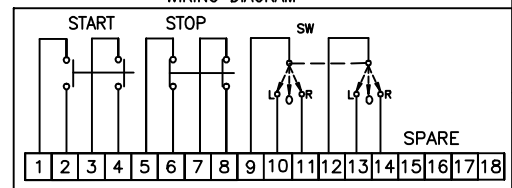
DO NOT SCALE



NOTES:

- START - START PUSH BUTTON (GREEN)
- STOP - STOP PUSH BUTTON (RED) WITH MUSHROOM HEAD WITH STAYPUT & PAD LOCKING ARRANGEMENT
- PUSH BUTTON ELEMENT RATING :10A 415V AC /1A 220V DC (2NO+2NC)
- SW - 6A, DP, 2 POSITION WITH OFF SELECTOR SWITCH (LOCAL/REMOTE)
- TL - 18Nos. 2.5SQ.MM TERMINALS (ELMEX MAKE)
- NP - NAME & WARNING PLATE (SS)
- TP - TAG PLATE (PERSPEX)
- EARTHING - 2Nos. EXTERNAL & 1No. INTERNAL
- HARDWARES - SS304
- GASKET - NEOPRENE

WIRING DIAGRAM



ALL DIMENSIONS ARE IN MM.

	CUSTOMER :	-	TITLE :		WEATHERPROOF CONTROL STATION		
	CONSULTANT :	-	CAT NO :		WP-20510C		
	PROJECT :	-	CLASSIFICATION :		IP65		
	P.O No. :	-	WT.:3.2KGS. (APPROX.)	MATL.: AL. LM 6	ITEM No.:	QTY.;	
	FINISH : EPOXY POWDER COATED LIGHT GREY (SHADE-631 OF IS:5)	TOLERANCE :±5mm		SCALE		N.T.S	
IS : 12063/87 (IEC:60529/89)		NAME	DATE				
		REV-1					
		REV-2			SHEET 1 OF 1		
		DRN.	S.S	08.05.09	DRG. NO.	REV	
		CHKD.			QE20510001	0	
		APPD.					



Baliga Lighting Equipments Private Limited,
KOVILAMBAKKAM, CHENNAI-600 117, INDIA.

1

2

3

4

A

A

B

B

C

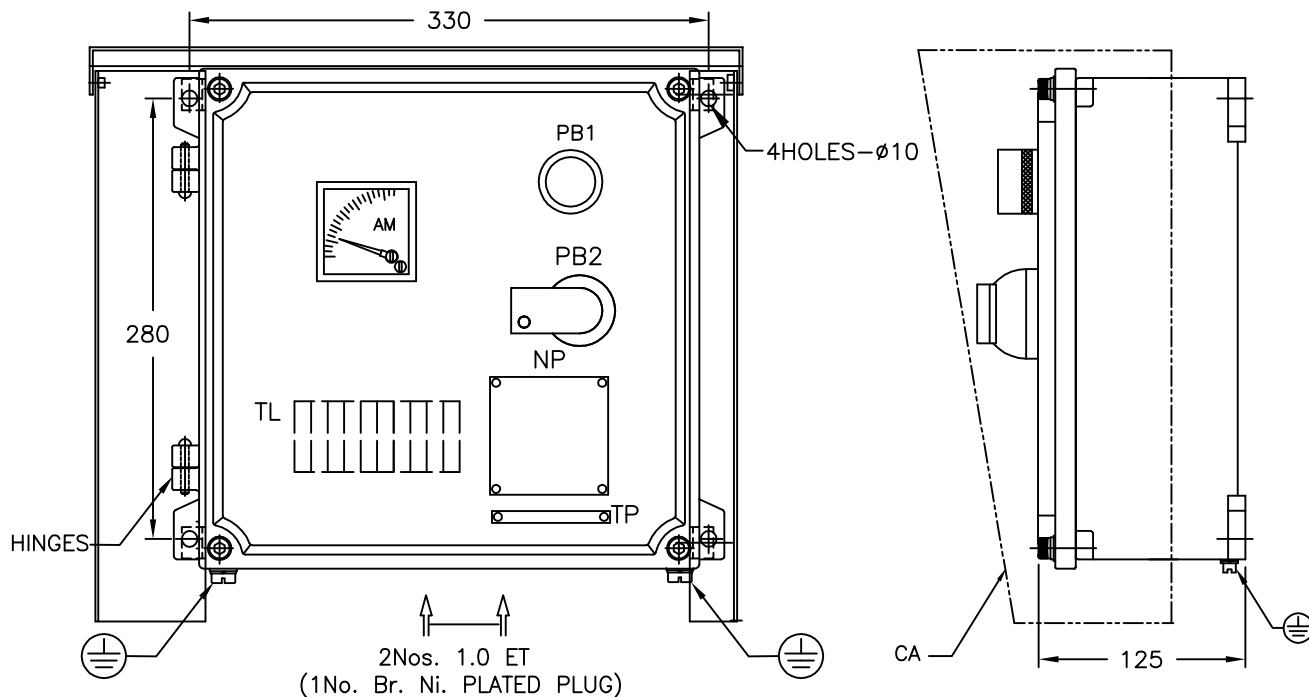
C

D

D

F

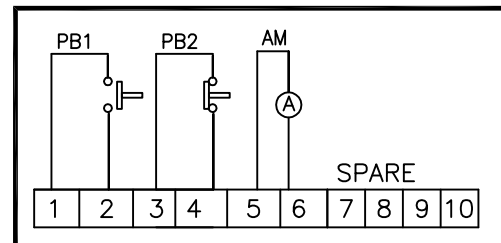
F



NOTES:-

- PB1 -START PUSH BUTTON (GREEN)
- PB2 -STOP PUSH BUTTON (RED) MUSHROOM HEAD STAYPUT WITH PADLOCK ARRANGEMENT
PUSH BUTTON ELEMENT RATING : 10A 415V AC / 1A 220V DC (1NO + 1NC)
- AM -AMMETER 72sq.mm ACCY.CLASS: 1.5, 90° DEFLECTION.
6TIMES SUPPRESSED SCALE. (CUSTOMER TO FURNISH AMMETER DETAIL)
- TL - 10Nos. 2.5sq.mm CLIPON TYPE TERMINALS (ELMEX MAKE)
- NP -NAME & WARNING PLATE (SS)
- TP -TAGPLATE (PERSPEX) (CUSTOMER TO FURNISH TAG DETAIL IF ANY)
- CA - CANOPY (MS, 2mm THICK EPOXY POWDER COATED)
- EARTHING -2Nos. EXTERNAL (M6) & 1No. INTERNAL (M5)
- HARDWARE -SS304

WIRING DIAGRAM



INTERNAL DIMENSION : 300x300x115mm
ALL DIMENSIONS ARE IN MM.

WP CABLE GLAND:- 1No. 1.0 ET Br. Ni. PLATED DOUBLE COMPRESSION TYPE CABLE GLAND MAX CABLE OD : 25mm	CUSTOMER:-		TITLE : WEATHERPROOF LOCAL CONTROL STATION			
	CONTRACTOR:		CAT No. : WP-30310C			
	PROJECT:		CLASSIFICATION: IP65			
	P.O. No.:		WT.:6.5KGS. (APPROX.)	MATL.: AL. LM-6	ITEM No.:	QTY.:
	FINISH: EPOXY POWDER COATED LIGHT GREY (SHADE-631 OF IS:5)		TOLERANCE :±5mm SCALE N.T.S		FOR INFORMATION ONLY	
S:12063/87 (IEC 60529/89)		NAME	DATE			
		REV-1				
		REV-2		SHEET 1 OF 1		
		DRN	S.S	13.01.09	DRG. No.	REV
		CHKD.			QE30310C01	0
		APPD.				



Baliga Lighting Equipments Private Limited,
KOVILAMBAKKAM, CHENNAI-600 117, INDIA.

1

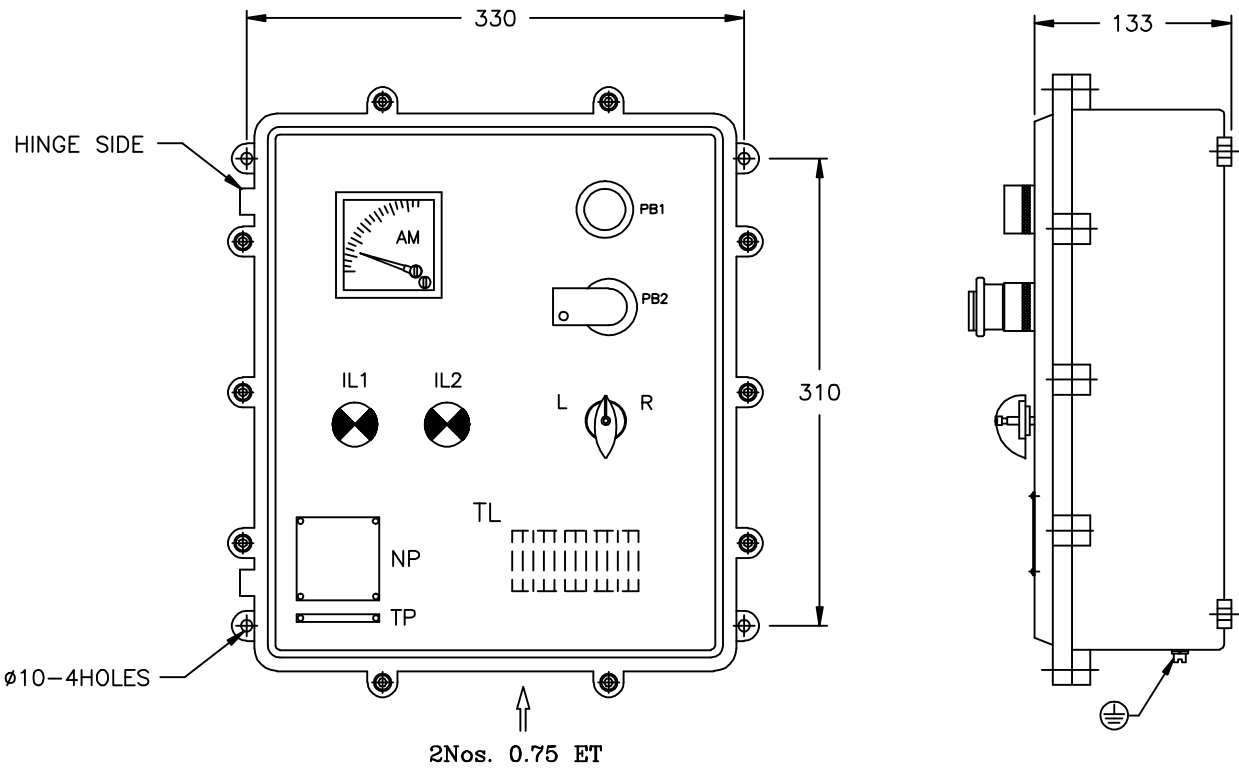
2

3

4

IF IN DOUBT ASK

DO NOT SCALE

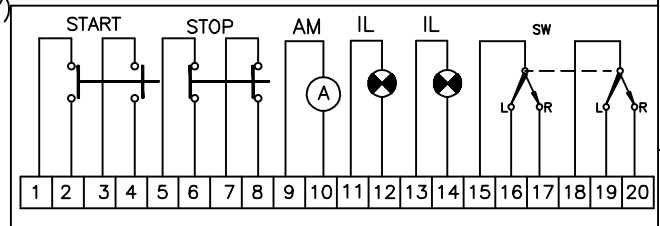


NOTES:

- AM - 72SQ.MM AMMETER, (CLASS OF ACCURACY: 1.5), 6TIMES SUPPRESSED SCALE, (CUSTOMER TO SPECIFY AMMETER DETAILS)
- PB1 -START PUSH BUTTON (GREEN) (2NO)
- PB2 -STOP PUSH BUTTON (RED) MUSHROOMHEAD WITH STAYPUT AND PADLOCKING ARRANGEMENT (2NC)
ELEMENT RATING : 10A, 415V AC
- IL1 -INDICATION LAMP (GREEN) 230V AC
- IL2 -INDICATION LAMP (RED) 230V AC
- SW - 16A, DP,2 POSITION SELECTOR SWITCH (LOCAL/REMOTE)
- NP -NAME & WARNING PLATE (SS)
- TP -TAGPLATE (PERSPEX) (CUSTOMER TO FURNISH TAG DETAILS IF ANY)
- TL -20Nos. 2.5SQ.MM TERMINALS (ELMEX MAKE)
- EARTHING -2Nos. EXTERNAL(M6) & 1No. INTERNAL (M5)
- GASKET - NEOPRENE

INTERNAL DIMENSION: 350x300x100MM
ALL DIMENSIONS ARE IN MM.

WIRING DIAGRAM



E	CUSTOMER :		TITLE : WEATHERPROOF CONTROL STATION		
	CONSULTANT :		CAT No. : WP-35310C		
	PROJECT :		CLASSIFICATION : IP65		
	P.O. No. :		WT.:8KGS. APPROX.	MATL.: LM-6	ITEM No.: QTY.:
	FINISH : EPOXY POWDER COATED LIGHT GREY (SHADE - 631 OF IS:5)		TOLERANCE : ±5mm SCALE N.T.S		FOR APPROVAL
IS :12063/87 (IEC:60529/89)		NAME	DATE		
REV-1					
F	REV-2				SHEET 1 OF 1
	DRN. S.S		08.05.09	DRG. NO. QE35310001	REV 0
	CHKD.				
APPD.					

Baliga Baliga Lighting Equipments Private Limited,
KOVILAMBAKKAM, CHENNAI-600 117, INDIA.