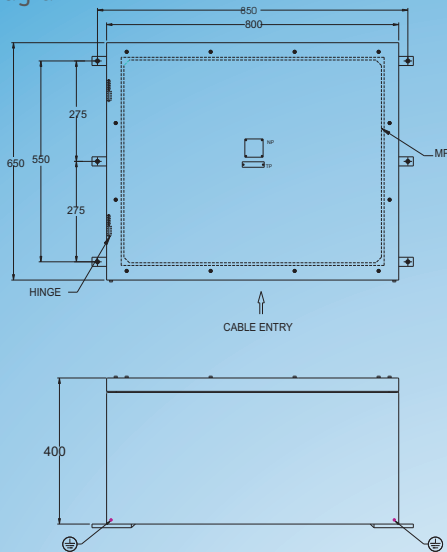


IS 80654

INCREASED SAFETY JUNCTION BOX

GA Diagram



Mechanical Data

- Material : Stainless Steel (SS304/SS316), /CRCA
- Weight : 95 Kg (Approx..)
- IP Protection : IP 66 as per IS 13947/1993 / IEC 60529 / 1989
- Finish : Polished
- Cable Entry : Refer Cable entry chart.
- Cover Fixing : Bolted
- Gasket : Neoprene
- Hardware : Stainless Steel

Electrical Data

- Terminals : Refer Chart.
- Earthing : External : 2 Nos - M6
Internal : 1 No - M5
- Terminal Blocks : Glass Fibre reinforced DMC

Cable Entry Chart

CAT No.	SIZE	ENTRY SIZE: M16/0.5ET/0.25 NPT/BSP		ENTRY SIZE: M20/0.75ET/0.5 NPT/BSP		ENTRY SIZE: M25/1.0ET/0.75 NPT/BSP		ENTRY SIZE: M32/1.25ET/1.0 NPT/BSP		ENTRY SIZE: M40/1.5ET/1.25 NPT/BSP		ENTRY SIZE: M50/2.0ET/1.5 NPT/BSP	
		A/B SIDE	C/D SIDE	A/B SIDE	C/D SIDE	A/B SIDE	C/D SIDE	A/B SIDE	C/D SIDE	A/B SIDE	C/D SIDE	A/B SIDE	C/D SIDE
		IS-202010	200 X 200 X 100	10	10	8	8	6	6				
IS-302510	300 X 250 X 100	14	16	12	14	10	12						
IS-403515	400 X 350 X 150	36	44	24	30	21	24						
IS-20510	200 X 150 X 100	12	8	16	16	7	5	3	2	2	2	2	1
IS-30310	300 X 300 X 100	16	16	14	14	11	11	5	5	4	4	3	3
IS-35310	350 X 300 X 100	20	16	18	14	13	11	6	5	5	4	4	3
IS-403515	400 X 350 X 150	33	30	28	25	16	14	12	10	7	6	5	4

Description

Increased safety restricted breathing type of junction boxes, fitted with anti-vibration terminals to suit circuit requirements. Cast integral plates make it possible to provide wide combination of cable entries for different sizes. A continuously moulded gasket ensures reliable weather proof protection.

Type of protection	Increased Safety - Exe
Gas Groups	Zone 2
Apparatus Standard	IS: 13947/93/IEC-60529/1989 IS: 6382/72
CMRI Certificate No.:	CIMFR/TC/SR/H24
Approvals	CCE

Terminals Chart

MAX. POSSIBLE TERMINAL DETAILS (CLIP ON SCREWED TYPE)				
TERMINALS (SIZE)	IS-20510 (IN 1 ROW)	IS-30310 (IN 2 ROWS)	IS-35310 (IN 2 ROWS)	IS-403515 (IN 2 ROWS)
2.5 / 4.0 SQMM	20	64	80	92
6.0 SQ MM	16	56	70	82
10 SQ MM	12	46	56	66
16 SQ MM	10	38	46	54
35 SQ MM	6	26	30	36

Terminals Chart

MAX. POSSIBLE TERMINAL DETAILS (BUS BAR TYPE)			
TERMINALS (SIZE)	IS-403515	IS-35310	IS-30310
35-50 SQ.MM	10	8	7
50-70 SQ.MM	9	8	6
35-50 SQ.MM	7	6	5

Dimension Chart

CAT No.	INTL. DIMN (IN MM)	MAX. CURRENT FEED THRU' TERMINALS (A)	TEMP. CLASS
IS-202010	200 X 200 X 100		
IS-302510	300 X 250 X 100		
IS-403515	400 X 350 X 150	85	T4
IS-80654	800 X 650 X 400		
IS-151520	150 X 150 X 200		
IS-151510	150 X 150 X 100		
IS-35310	350 X 300 X 100	20	T5
IS-30310	300 X 300 X 100	20	T5
IS-20510	200 X 150 X 100	20	T5

