

IS 37150, 37310 & 50310

INCREASED SAFETY JUNCTION BOX



Mechanical Data

Material : Aluminium LM6
 Weight : Refer the Dimension Chart.
 IP Protection : IP 65 as per IS 13947/1993 / IEC 60529 / 1989
 Finish : Anti corrosive Epoxy powder coated
 Cable Entry : Refer Cable entry chart.
 Cover Fixing : Bolted
 Gasket : Neoprene
 Hardware : Stainless Steel

Electrical Data

Terminals : [Refer Chart.](#)
 Earthing : External : 2 Nos - M6
 Internal : 1 No - M5
 Terminal Blocks : Glass Fibre reinforced DMC

Cable Entry Chart

Entry size (Inches)			IS 37150		IS 37310		IS 50310	
BSC	NPT / BSP	Metric (mm)	A /B	C /D	A /B	C /D	A /B	C /D
0.50	0.25	M 16 X 1.5	20	8	20	16	34	16
0.75	0.50	M 20 X 1.5	18	8	18	14	24	14
1.0	0.75	M 25 X 1.5	12	4	12	9	20	9
1.25	1.0	M 32 X 1.5	7	2	7	5	10	5
1.50	1.25	M 40 X 1.5	5	2	5	4	7	4
2.0	1.50	M 48 X 1.5	4	1	4	3	5	3

Description

Increased safety restricted breathing type of junction boxes, fitted with anti-vibration terminals to suit circuit requirements. Cast integral plates make it possible to provide wide combination of cable entries for different sizes. A continuously moulded gasket ensures reliable weather proof protection.

GA Diagram

To View the GA Drawing click on the Catalogue No.

[IS 37150](#)

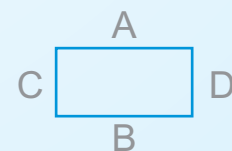
[IS 37310](#)

[IS 50310](#)

Type of protection	Increased Safety - Exe
Gas Groups	Zone 2
Apparatus Standard	IS - 8224
CMRI Certificate No.:	
IS 37150 & IS 37310	CMRI / TC / P / H536
IS 50310	CMRI / TC / H 73
Approvals	CCE

Cat.No.	Internal Dimn.	Weight
IS 37150	370 X 150 X 100 mm	6.0 Kg
IS 37310	370 X 300 X 100 mm	9.0 Kg
IS 50310	500 X 300 X 100 mm	11.5 Kg

Dimension Chart



IF IN DOUBT ASK

DO NOT SCALE

A

B

C

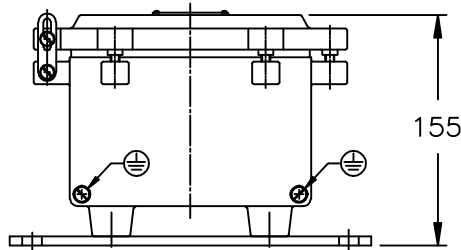
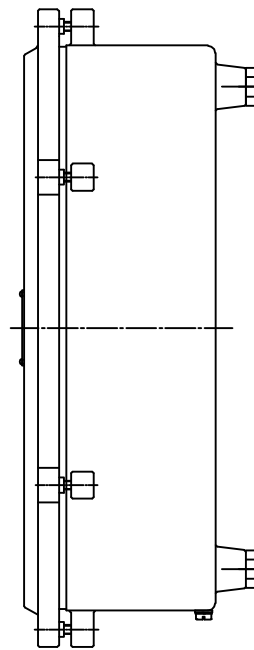
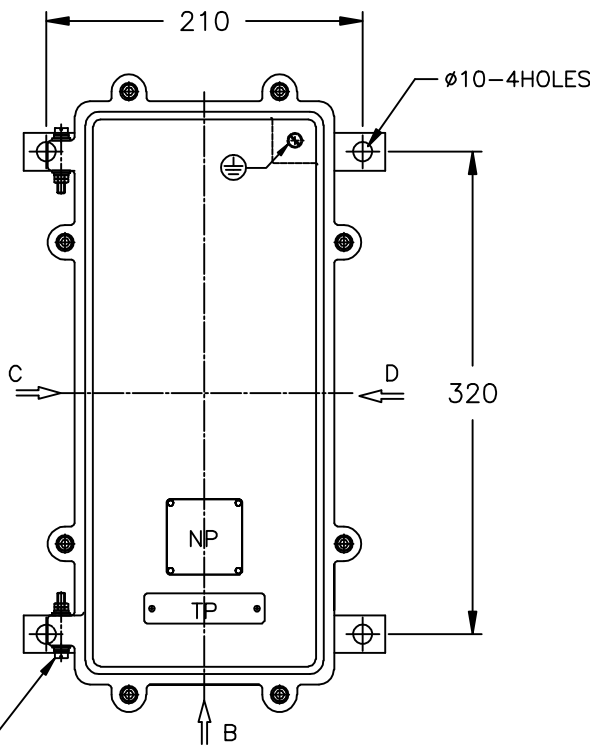
D

A

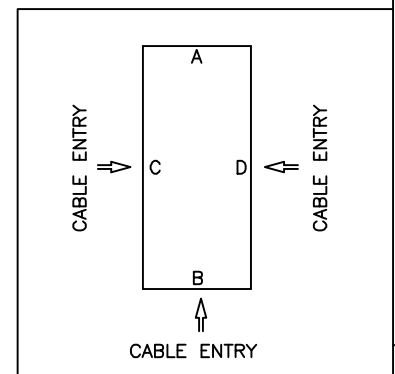
B

C

D



ENTRY DIAGRAM



INTERNAL DIMENSION : 365 x 150 x 117 mm

ALL DIMENSIONS ARE IN MM.

NOTES :

- TL - TERMINALS
- NP -NAME & WARNING PLATE(SS)
- TP -TAG PLATE (PERSPEX)
- EARTHING -2Nos. EXTERNAL & 1No. INTERNAL
- HARDWARE -SS304

CUSTOMER :	-	TITLE : INCREASED SAFETY MULTIWAY JUNCTION BOX			
CONSULTANT :	-	CAT No : IS-37150			
PROJECT :	-	CLASSIFICATION : Exe IP65 ZONE 2			
P.O No. :	-	WT: 8 Kgs. (APPROX.)	MATL.: AL.LM-6	ITEM No.:	QTY.:
FINISH : EPOXY POWDER COATED LIGHT GREY (SHADE-631 OF IS:5)		TOLERANCE :±5mm		FOR INFORMATION ONLY	
CMRI : CMRI/TC/P/H536 DT: 19.05.2000		SCALE N.T.S			
IS:13346/04 (IEC:60079-0/00)		NAME	DATE		
CCE : R1(1)136/BALIGA/12-XVII DT:24.12.2004		REV-1		SHEET 1 OF 1	
IS:6381/04 (IEC:60079-7/01)		REV-2			
IS:12063/87 (IEC:60529/89)					
DRN. S.S 08.05.09		DRG. No.	REV		
CHKD.		QEIS371500	0		
APPD.					

Baliga Lighting Equipments Private Limited,
KOVILAMBAKKAM, CHENNAI-600117, INDIA.

1

2

3

4