

IS 20510 - 35310

INCREASED SAFETY JUNCTION BOX



Mechanical Data

Material : Aluminium LM6
 Weight : Refer the Dimension Chart.
 IP Protection : IP 65 as per IS-12063/1987 (IEC 60529/1989)
 Finish : Anti corrosive Epoxy powder coated
 Cable Entry : Refer Cable entry chart.
 Cover Fixing : Bolted
 Gasket : Neoprene
 Hardware : Stainless Steel

Electrical Data

Terminals : [Refer Chart.](#)
 Earthing : External : 2 Nos - M6
 Internal : 1 No - M5
 Terminal Blocks : Glass Fibre reinforced DMC

Cable Entry Chart

Entry size (Inches)			IS 20565		IS 20510		IS 30310		IS 35310	
BSC	NPT / BSP	Metric (mm)	A / B	C / D	A / B	C / D	A / B	C / D	A / B	C / D
0.50	0.25	M 16 X 1.5	6	4	8	6	16	16	18	16
0.75	0.50	M 20 X 1.5	5	4	8	6	14	14	16	14
1.0	0.75	M 25 X 1.5	4	3	3	2	6	6	7	6
1.25	1.0	M 32 X 1.5	3	2	2	2	4	4	5	4
1.50	1.25	M 40 X 1.5	-	-	2	2	4	4	5	4
2.0	1.50	M 48 X 1.5	-	-	2	1	3	3	3	3
2.5	2.0	M 63 X 1.5	-	-	2	1	3	3	3	3

Description

Increased safety restricted breathing type of junction boxes, fitted with anti-vibration terminals to suit circuit requirements. Cast integral plates make it possible to provide wide combination of cable entries for different sizes. A continuously moulded gasket ensures reliable weather proof protection.

GA Diagram

To View the GA Drawing click on the Catalogue No.

[IS 20565](#)

[IS 20510](#)

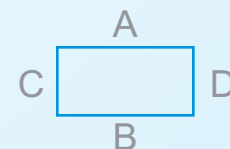
[IS 30310](#)

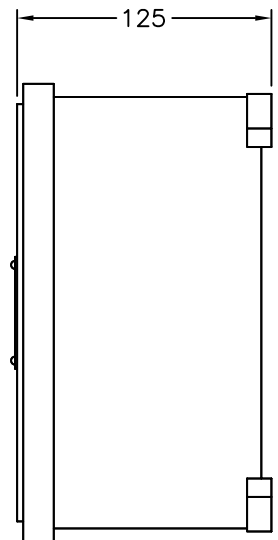
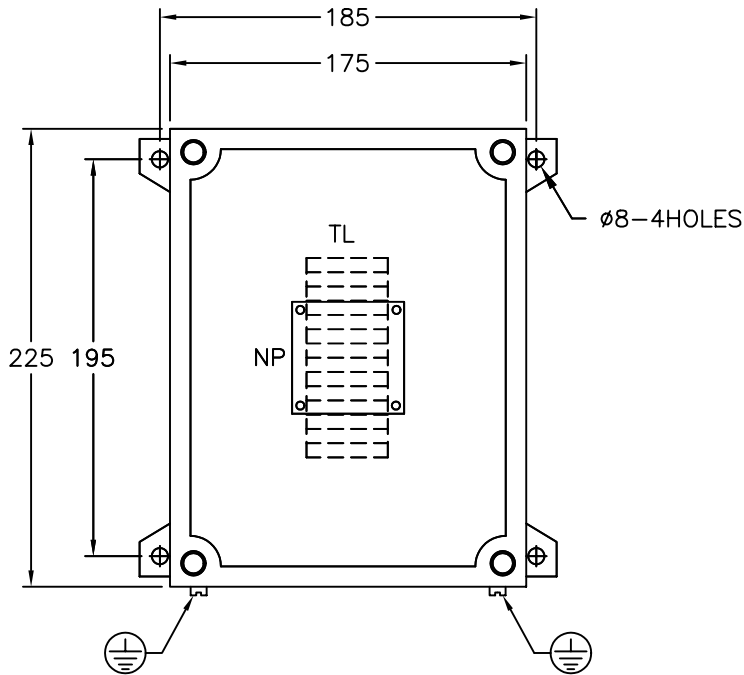
[IS 35310](#)

Type of protection	Increased Safety - Exe		
Gas Groups	Zone 2		
Apparatus Standard	IS - 8224		
CIMFR Certificate No.:	IS 20510 & IS 20565	V / 1 / 1 / 4620	
	IS 30310 & IS 35310	V / 1 / 1 / 1560	
Approvals	CCE		

Dimension Chart

Cat.No.	Internal Dimn.	Weight
IS 20565	200 X 150 X 65 mm	2.8 Kg
IS 20510	200 X 150 X 100 mm	3.2 Kg
IS 30310	300 X 300 X 100 mm	6.5 Kg
IS 35310	350 X 300 X 100 mm	8.0 Kg





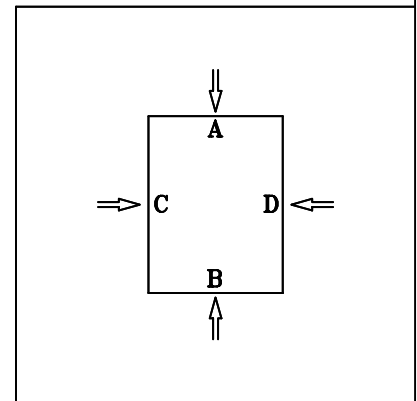
TERMINALS DETAILS

TERMINAL SIZE	LENGTH WISE	WIDTH WISE
4SQ.MM	10Nos	15Nos
10SQ.MM	07Nos.	10Nos.
16SQ.MM	05Nos	08Nos
35SQ.MM	-	05Nos.
50SQ.MM	-	-
70SQ.MM	-	-
95SQ.MM	-	-

MAXIMUM POSSIBLE ENTRIES:

ENTRY SIZE	A/B SIDE	C/D SIDE
0.5"ET/BSC/0.25"NPT/BSP/M16	07Nos.	10Nos.
0.75"ET/BSC/0.5"NPT/BSP/M20	06Nos.	08Nos.
1.0"ET/BSC/0.75"NPT/BSP/M25	04Nos.	06Nos.
1.25"ET/BSC/1.0"NPT/BSP/M32	02Nos.	04Nos.
1.5"ET/BSC/1.25"NPT/BSP/M40	01No.	03Nos.
2.0"ET/BSC/1.5"NPT/BSP/M48	01No.	01No.

ENTRY DIAGRAM



ALL DIMENSIONS ARE IN MM.

NOTE: TL : TERMINALS HARDWARES : SS304 NP : NAME & WARNINGPLATE(SS) EARTHING : 2Nos.EXTERNAL & 1No.INTERNAL	CUSTOMER :	TITLE : INCREASED SAFETY JUNCTION BOX		
	CONSULTANT :	CAT NO : IS-20510	ITEM No.:	QTY.:
	PROJECT :	CLASSIFICATION : Exe IP65 ZONE 2	MATERIAL : LM-6	
	P.O.No. :	WEIGHT : 3.2Kgs (APPROX.)	REF. DRG. NO.	
	FINISH : EPOXY POWDER COATED (SHADE-631 OF IS:5)	TOLERANCE : ±5mm	SCALE : N.T.S	
CMRI : V/1/5/4620 DT:29.10.90	IS : 13947/93	NAME	DATE	
CCE : R1(1)136/BALIGA/12-XV DT:25.11.99	IS : 6381/72	REV-1		
DGFAS : 66/13/1(R)/97-TECH DT:12.08.97	IS :	REV-2	SHEET 1 OF 1	
Baliga Lighting Equipments Limited KOVILAMBAKKAM, CHENNAI-600 117, INDIA.	DRN. S.S	23.07.01	DRG. NO.	REV
	CHKD.		GIS2051001	0
	APPD.			